

Biodrier *3D SmartDry*

Hand dryer

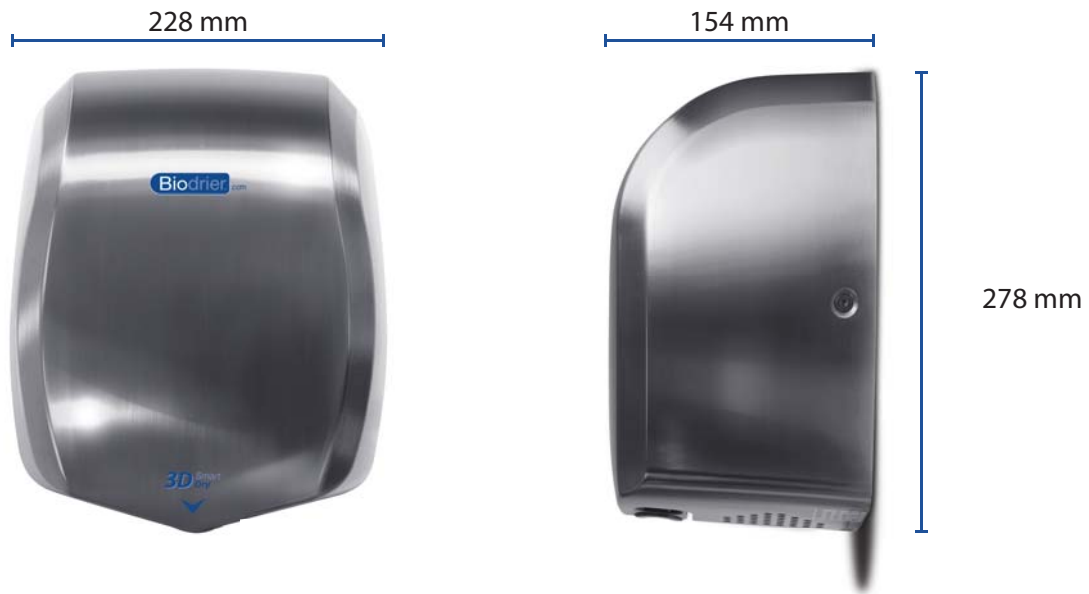
Automatic



High Speed

Surface Mounted High Speed Hand Dryer

Operating Instructions and Parts Manual (Automatic)



Technical Specifications

| Item Category | Performance Data |
|---------------------------|---|
| Operating Voltage | 220 - 240Vac, 50Hz, 200 - 800 WATTS |
| Air Speed Output | 75m/s, 85 m ³ /h |
| Air Output Temperature | Intelligent - based on room temperature |
| Motor Type | 18,000 rpm, 200 Watts, BLDC brushless DC motor |
| Decibel Rating | 70 dba @ 1 mtr |
| Heater Element | 0-600 Watts - Intelligent Heating |
| Heater Thermal Protection | Auto Resetting Thermostat turns unit off at, 149°F (95°C) |
| Drying Time | Under 10 seconds |
| Circuit Operation | Infrared Automatic, self adjusting |
| Sensor Range | 100 mm |
| Timing Protection | 25 seconds auto shut off |
| Drip Proof | IPX2 |
| Isolation | CLASS I |
| Net Weight | 3.3 kg |
| Shipping Weight | 15.7 kg |
| Unit Size | W 228 x H 278 x D 154 mm |
| Certificates | CE, WEEE, Greenspec |
| Item Code | Cover Type/Finish |
| BSD83B | Brushed Stainless Steel |

Surface Mounted High Speed Hand Dryer

Operating Instructions and Parts Manual (Automatic)

General Safety Information

WARNING

This product is intended for installation by a qualified service person. Use AWAG No.16 solid conductor for wiring.

Failure to properly ground unit could result in electrical shock and/or death.

Disconnect power at the service breaker before installing or servicing.

NOT FOR HOUSEHOLD USE - MAY CAUSE BURNS

All units must be supplied with a 3-wire service. The ground wire must be connected with the dryers back plate.

NOTE: Do not install dryer over wash basin.

Type Y attachment

If the power supply cord is damaged, it must be replaced by the manufacturer or its service agent or a similar qualified person in order to avoid a hazard.

Means for disconnection must be incorporated in the fixed wiring in accordance with the wiring rules.

Installation

Installation must be carried out by a qualified electrician

1. Make sure power supply breaker is switched off. Installation must be carried out in accordance with the current edition of the local wiring regulations code having jurisdiction. Installation should be performed only by a qualified electrician.

NOTE: For two or more dryers, dryers should be no closer than 24 inches (610 mm) on centre.

2. Connect supply wires to terminal block where indicated and connect ground wire to baseplate with ground screw.

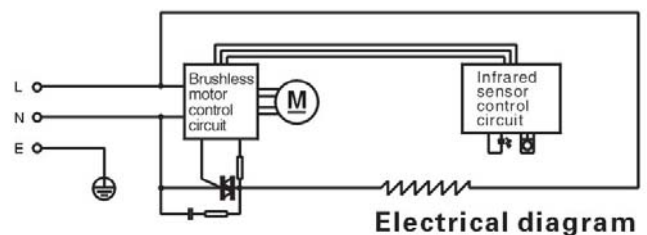
Connections:

a. Connect the live wire (coloured red or brown) to the terminal block marked "L".

b. Connect the neutral wire (coloured black or blue) to the terminal block marked "N".

c. Connect the ground wire (coloured green or green and yellow) to the green screw marked "⊕".

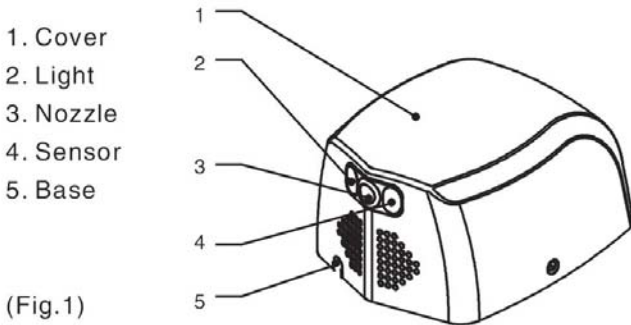
Note that the colour of live and neutral wires depends on voltage of supply service.



Surface Mounted High Speed Hand Dryer

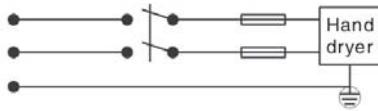
Operating Instructions and Parts Manual (Automatic)

Installation Continued

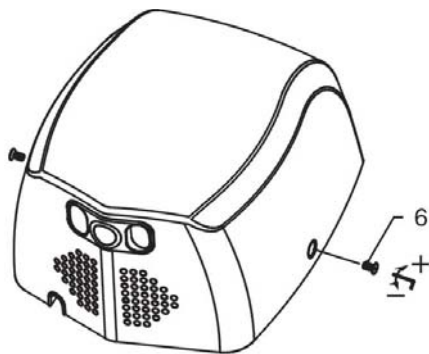


(Fig.1)

- Before connecting to the main power install a secondary switch with a contact distance of > 3 mm.
- This hand dryer must be earthed correctly.
- Do not install near water or in areas with high humidity
- Ensure power is cut off before installation



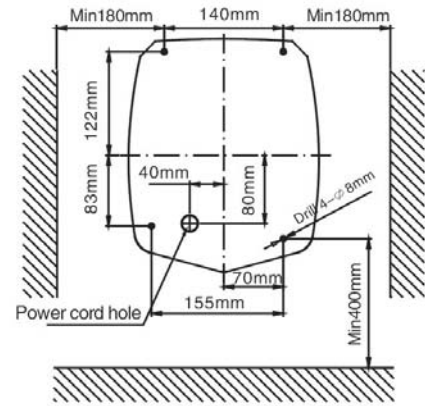
1. Use an Allen key to remove the screws on both sides of the hand dryer (fig. 2) and remove the cover. Use the mounting height guide and the installation template to mark and drill 4 Ø 8 mm holes at a depth of 35 mm.



6. Screw

(Fig.2)

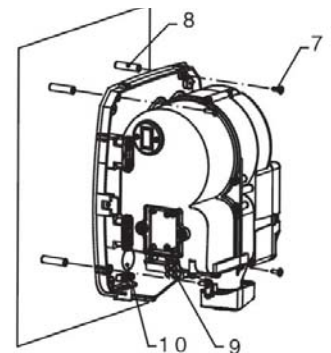
2. Fix the hand dryer backplane to the wall using appropriate fixings for the wall type.



Obstacle (Fig. 3)

3. Replace the cover and attach using the original screws.
4. To install with a concealed wire knock out the pre-cut hole in the backplate, remove the power cord, thread through the hole and connect to the corresponding terminals.

7. Screw
8. Plug
9. Wire terminal
10. Wire inlet



(Fig. 4)

Surface Mounted High Speed Hand Dryer

Operating Instructions and Parts Manual (Automatic)

Recommended Mounting Heights

From floor to bottom of dryer.

| Men's | Ladies | Children, ages 11-17 | Children, ages 3-10 | Disabled |
|--------|--------|----------------------|---------------------|----------|
| 43" | 41" | 39" | 33" | 35" |
| 109 cm | 104 cm | 99 cm | 84 cm | 89 cm |

Intelligent Heating

The 3D Smart Dry automatically adjusts the heater depending on the ambient temperature of the air surrounding the dryer.

This means that in cold temperatures you have a comfortable hand drying experience and in the warmer weather you can reduce your energy consumption and save money.

| Room Temp | Heater Power | Total Power |
|-----------|--------------|-------------|
| < 10°C | 600 w | 800 w |
| 10 - 15°C | 450 w | 650 w |
| 15 - 20°C | 300 w | 500 w |
| 20 - 25°C | 150 w | 350 w |
| > 25°C | 0 w | 200 w |

Cleaning and Maintenance

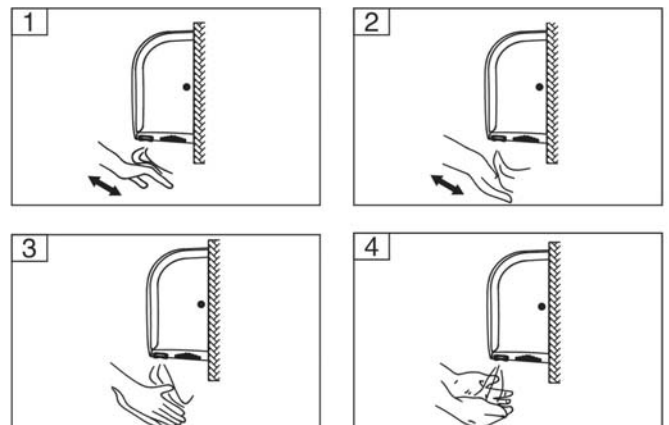
All surfaces of the unit should be cleaned daily with a soft cloth dampened with warm, soapy water. Polish with a soft dry cloth.

DO NOT use caustic solutions or abrasive cleaning materials on the drier.



Operation

- No touch operation.
- Shake excess water from hands.
- Place hands under the outlet, within 10 cm, to start operation.
- Move hands back and forth through the air jets
- Stops automatically after hands are removed, or after 60 seconds.



Surface Mounted High Speed Hand Dryer

Operating Instructions and Parts Manual (Automatic)

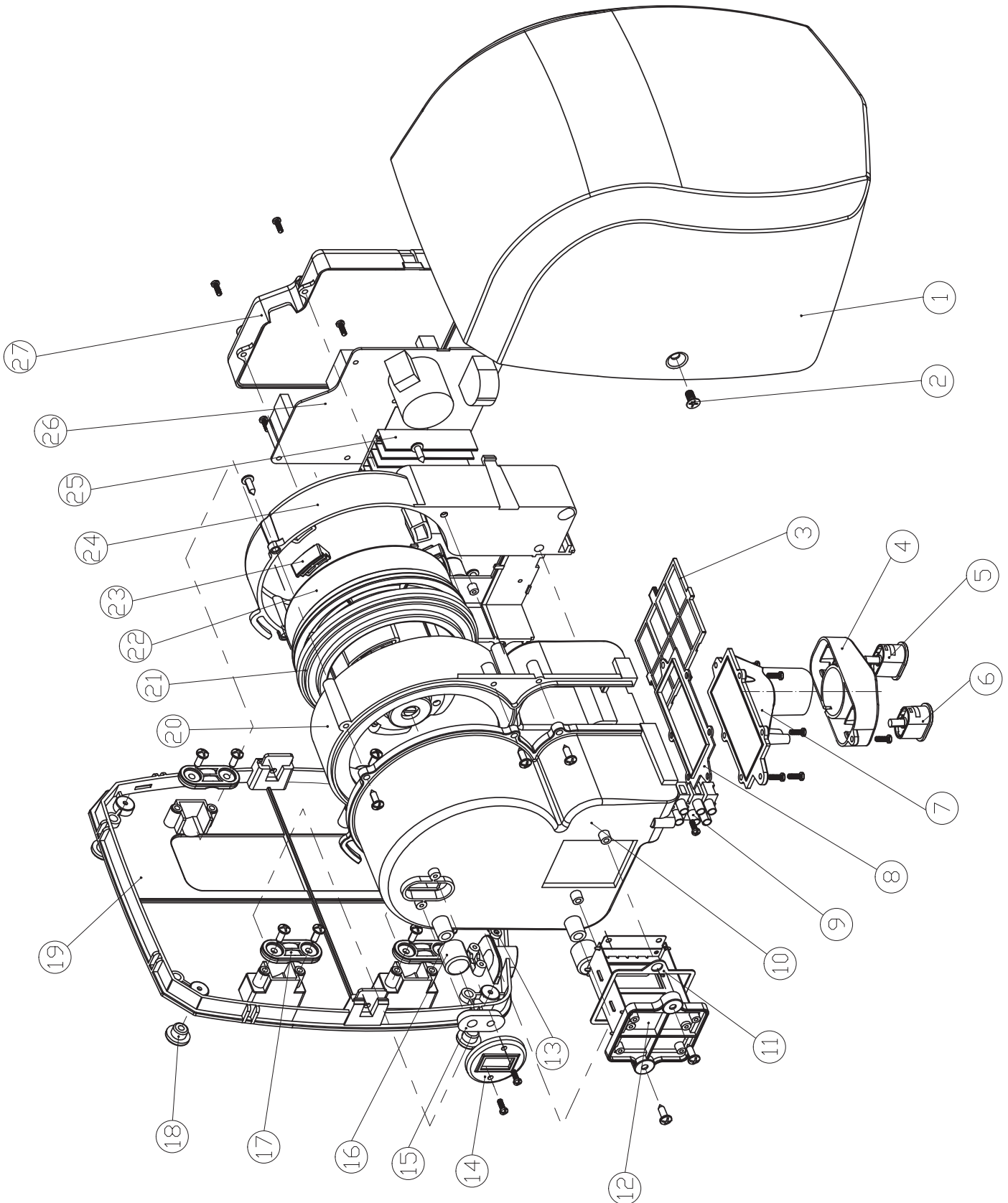
Parts List

| Key | Description | Part No. |
|-----|------------------------|-------------------|
| 1 | Cover | HDS-BSD03-3159-1 |
| 2 | Screws | HDS-BSD03-3159-2 |
| 3 | Filter cover | HDS-BSD03-3159-3 |
| 4 | Sensor house | HDS-BSD03-3159-4 |
| 5 | Sensor | HDS-BSD03-3159-5 |
| 6 | LED | HDS-BSD03-3159-6 |
| 7 | Air outlet baffle | HDS-BSD03-3159-7 |
| 8 | Air outlet seal | HDS-BSD03-3159-8 |
| 9 | Terminal block | HDS-BSD03-3159-9 |
| 10 | Blower housing | HDS-BSD03-3159-10 |
| 11 | Heating element seal | HDS-BSD03-3159-11 |
| 12 | Heating element | HDS-BSD03-3159-12 |
| 13 | Power cable clamp | HDS-BSD03-3159-13 |
| 14 | Cable clamp | HDS-BSD03-3159-14 |
| 15 | Cable seal | HDS-BSD03-3159-15 |
| 16 | Shock absorber rubber | HDS-BSD03-3159-16 |
| 17 | Fitting brush | HDS-BSD03-3159-17 |
| 18 | Washer | HDS-BSD03-3159-18 |
| 19 | Base plate | HDS-BSD03-3159-19 |
| 20 | Motor fixing plate | HDS-BSD03-3159-20 |
| 21 | Shock absorber ring | HDS-BSD03-3159-21 |
| 22 | Motor | HDS-BSD03-3159-22 |
| 23 | Compressing block | HDS-BSD03-3159-23 |
| 24 | Air flue | HDS-BSD03-3159-24 |
| 25 | Heat dissipation plate | HDS-BSD03-3159-25 |
| 26 | Control PCB | HDS-BSD03-3159-26 |
| 27 | PCB cover | HDS-BSD03-3159-27 |

Surface Mounted High Speed Hand Dryer

Operating Instructions and Parts Manual (Automatic)

Diagram




The logo for Biodrier.com features the word "Biodrier" in white, bold, sans-serif font inside a dark blue rounded rectangle. To the right of this rectangle, the ".com" is written in a smaller, lighter blue, sans-serif font.

Biodrier. com

Julian Berrill | mob: 07590 046190 | julian.berrill@fw3group.com

Peter Jackson | mob: 07957 472397 | peter.jackson@fw3group.com

