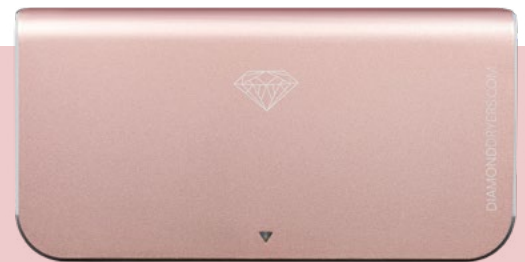
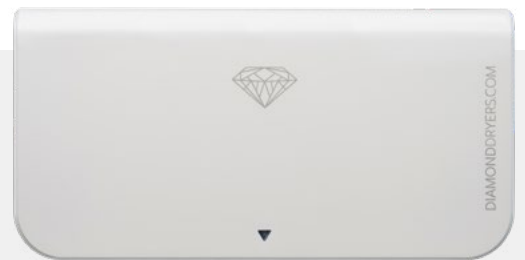




DIAMONDDRYERS

DIAMOND DRYER **PURE**

Air Sterilising Hand Dryer



AIR PURIFYING & STERILIZATION MODE

- HEPA filter
- UV-C Light and Plasma Ion Generator sterilises the air on standby

POWERFUL

- Low energy – high speed
- Fast drying time with a carbon free, digital brushless motor
- High intensity single port nozzle
- Energy efficient with powerful performance
- Quiet mode

STYLISH

- Stunning design with a high quality aluminum case
- Beautiful colours and a diamond cut edge
- Blue LED to guide users intuitively to the optimum drying zone
- Perfect for washrooms with limited space

TOUGH

- Longest service time with a 7 year warranty
- Suitable for high traffic areas and intensive use
- Minimal maintenance



Graphite



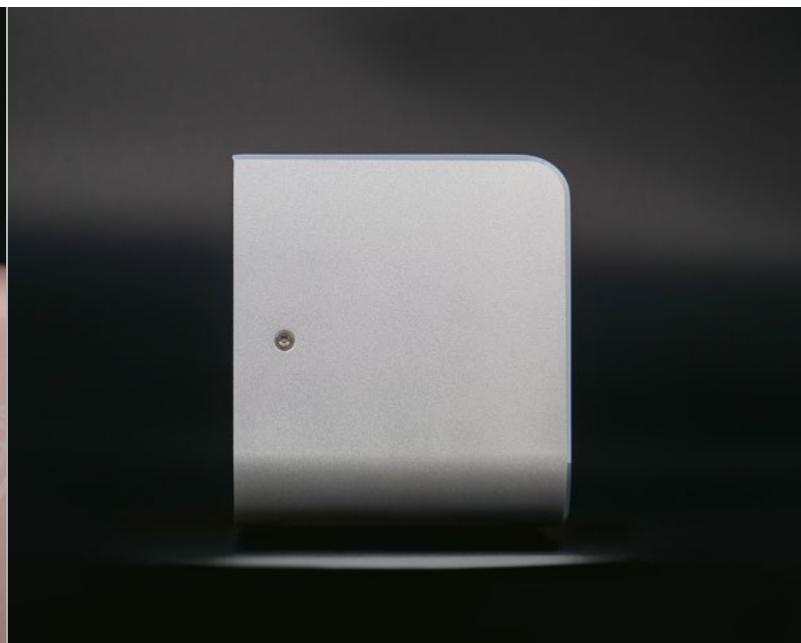
Silver



Rose Gold



White
(Smooth Semi-gloss Finish)



Item Category	Specifications
Voltage & frequency	AC 220~240V, 50Hz / AC 110~120V, 60Hz
Rated power	320W (No heat) / 720W (Heat) Quiet mode: 130W / 530W
Standby power	<0.5 Watts (Blue Angel Regulation)
Sensor type	Infrared automatic, sensing distance: 10~25cm
Motor type	Brushless DC motor, lifespan: minimum 5000h
Timing protection	50 sec. auto shut off
Motor RPM	30000 RPM / Quiet mode: 21000 RPM
Air speed	96 m/s (345km/h) / Quiet mode: 65 m/s
Air volume	84 m ³ /h (max settings) / Quiet mode: 57 m ³ /h
Drying time	Under 12 seconds (max settings)
Noise	High Speed: 72 dB / Quiet Mode: 67 dB
LED light	Blue LED for pointing air blow range, Red LED for filter replacement alert
Heater	Yes, switch included on the main board
Power switch	Yes
Filter	HEPA (H13) filter media + Antimicrobial filter
UV lamp	254nm C type / Lifespan: ≥10000 H
Plasma generator	≥ 3,000,000 Pcs /cm ³ (@1m), DC 12V, Lifespan: ≥ 20000 H
Air sterilisation mode (opt.)	Power (overall): 12 W, Air speed: 17 m/s, Air volume: 14.57 m ³ /h, Working cycle: 1 hour on & 1 hour off
External material	Anodized aviation aluminium
Internal material	Heatproof PP fireproof 94VO
Protection device	Auto reset safety overload against 115°C in motor, 85°C in board
Anti-theft protection	2 allen lock screws and lock with allen wrench
Internal lead wire	Temperature resistant 105°C
Drip proof	IPX3
Electrical isolation	Class 1



DIAMONDDRYERS

Unit weight:

2.6 kg

Gross weight:

3.2 kg

Unit size (mm):

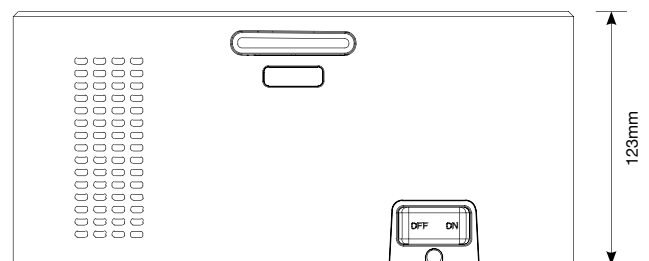
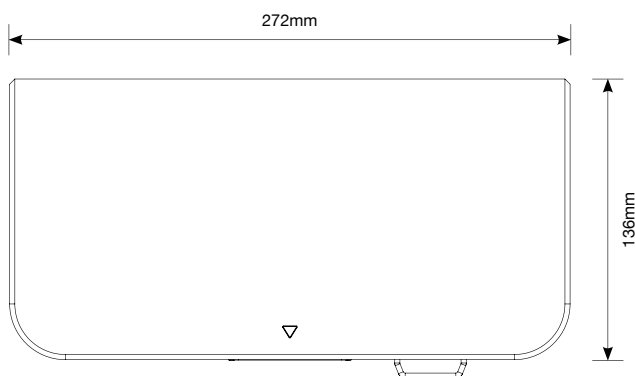
272x136x123

Box size (mm):

400x190x150

Certification:

CE, ETL, RoHS (TUV certified) marked in accordance with EEC documents, Q mark



Contact us:

Peter Jackson | Business Development Manager

peter.jackson@diamonddryers.com

Mobile: 07957 472397

DIAMONDDRYERS.COM

